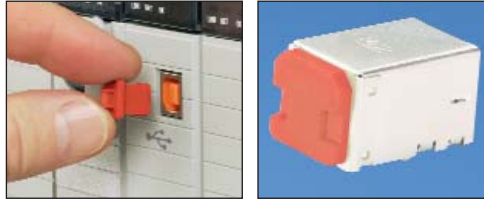


USB Type 'B' Blockout Devices

specifications

The USB Type 'B' blockout devices shall work with USB 2.0 Type 'B' ports. There shall be two options available: a removable device and a permanent device. Each design shall block one USB Type 'B' port, keeping it secure and reducing the risk of viruses being loaded and unauthorized data being removed through the USB port. They shall be utilized in any data application, especially with printers, industrial network equipment, and other hardware that use USB Type 'B' adapters. The permanent blockout device shall only be used if the port is never to be used again; **there is no tool to release this device.**



technical information

| | |
|---------------------------|--------------------------------|
| Material: | Polycarbonate |
| Temperature range: | -30°F to 200°F (-35°C to 93°C) |
| RoHS compliant: | Compliant |
| Halogen free: | Yes |

key features and benefits

| | |
|------------------------------------|--|
| Tamper-resistant | Blockout devices block unauthorized access to USB Type 'B' ports, to provide additional security from viruses being loaded and data being removed through the USB port |
| Compliant with USB 2.0 | Devices fit USB 2.0 Type 'B' ports |
| Compact, low profile design | Can be installed without interfering with adjacent USB ports |
| Removal tool | PSL-USBB device may only be released with the included special removal tool, ensuring the safety and security of your network infrastructure |

applications

The USB Type 'B' blockout devices are inserted into an USB Type 'B' port to block access to prevent damage and unauthorized access to data. These tamper-resistant devices fit USB Type 'B' ports and will help save time and money associated with data security breaches, network downtime, infrastructure repair and hardware replacement.

Panduit[®] USB Type 'B' blockout devices provide an economical way to block unauthorized access at a physical layer to USB Type 'B' ports in printers, industrial network equipment and other hardware devices to reduce the risk of unintentional or intentional damage.

USB Type 'B' Blockout Devices

Standard package*: PSL-USBB

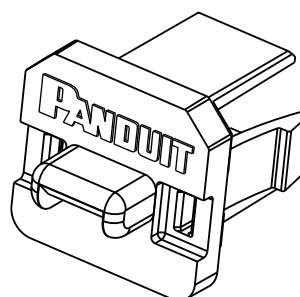
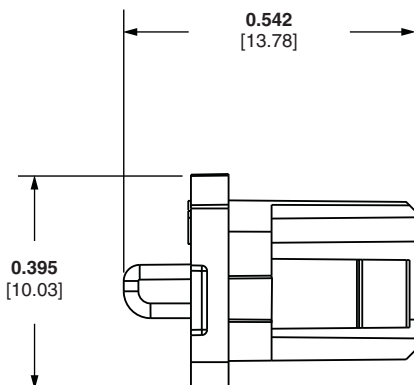
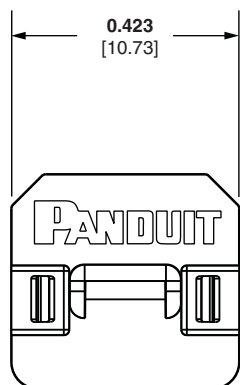
Permanent USB Type 'B' Blockout Device

Standard package*: PSL-PERM-USBB

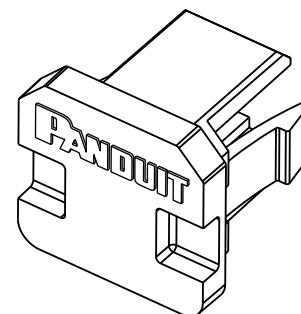
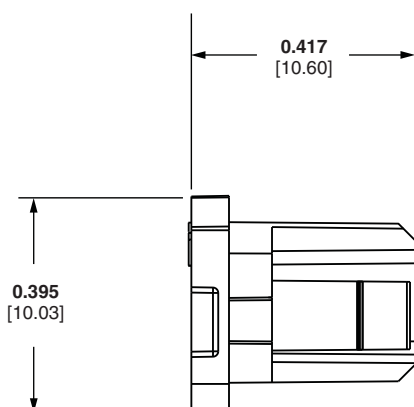
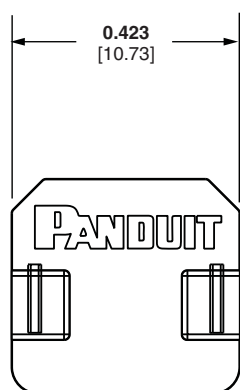
For additional Lock-In and Blockout Devices, visit www.panduit.com, or contact customer service.

*PSL-USBB Standard Package includes ten blockout devices and one removal tool. PSL-PERM-USBB Standard Package includes ten blockout devices.

USB Type 'B' Blockout Devices



*Permanent USB Type 'B' Blockout Device



*PSL-PERM-USBB device permanently blocks one USB Type 'B' port; NO REMOVAL TOOL AVAILABLE

Dimensions are in inches. [Dimensions in brackets are metric].

WORLDWIDE SUBSIDIARIES AND SALES OFFICES

PANDUIT CANADA
Markham, Ontario
cs-cdn@panduit.com
Phone: 800.777.3300

PANDUIT EUROPE LTD.
London, UK
cs-emea@panduit.com
Phone: 44.20.8601.7200

PANDUIT SINGAPORE PTE. LTD.
Republic of Singapore
cs-ap@panduit.com
Phone: 65.6305.7575

PANDUIT JAPAN
Tokyo, Japan
cs-japan@panduit.com
Phone: 81.3.6863.6000

PANDUIT LATIN AMERICA
Guadalajara, Mexico
cs-la@panduit.com
Phone: 52.33.3777.6000

PANDUIT AUSTRALIA PTY. LTD.
Victoria, Australia
cs-aus@panduit.com
Phone: 61.3.9794.9020

For a copy of Panduit product warranties, log on to www.panduit.com/warranty

For more information

Visit us at www.panduit.com

Contact Customer Service by email: cs@panduit.com
or by phone: 800.777.3300

PANDUIT[®]

©2012 Panduit Corp.
ALL RIGHTS RESERVED.
IDSP21--WW-ENG
Replaces WW-IDSP20
11/2012