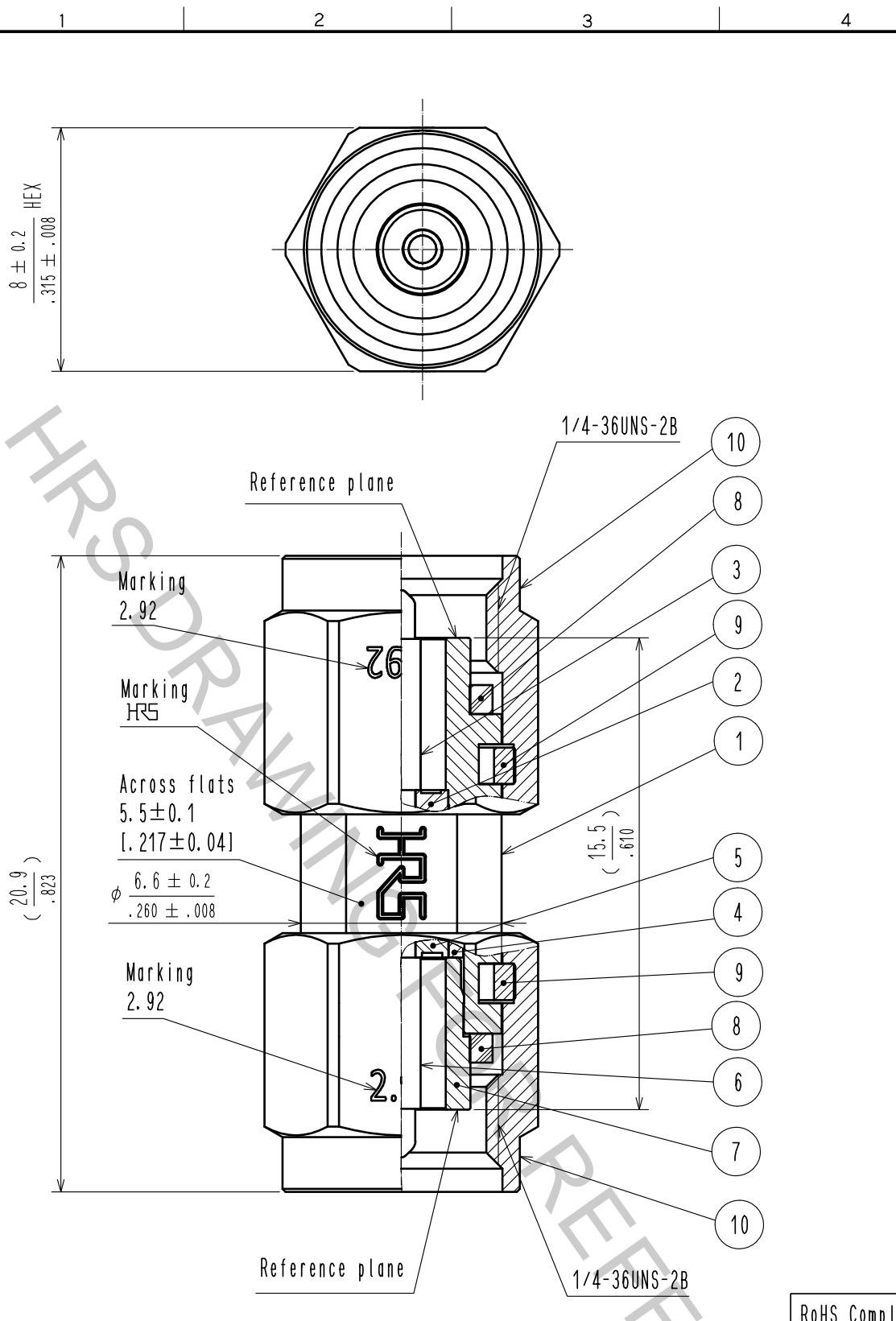


Aug.1.2018 Copyright 2018 HIROSE ELECTRIC CO., LTD. All Rights Reserved.
 In case that the application demands a high level of reliability, such as automotive,
 please contact a company representative for further information.



RoHS Compliant

5	PPO		10	Stainless steel	Passivate
4	Stainless steel	Gold plated	9	Beryllium copper	Nickel plated
3	Beryllium copper	Gold plated	8	Silicone rubber	(Red)
2	PTFE		7	Stainless steel	Gold plated
1	Stainless steel	Passivate	6	Phosphor bronze	Gold plated
NO.	MATERIAL	FINISH . REMARKS	NO.	MATERIAL	FINISH . REMARKS

UNITS mm		SCALE 5 : 1	COUNT 	DESCRIPTION OF REVISIONS	DESIGNED	CHECKED	DATE
HRS HIROSE ELECTRIC CO., LTD.		APPROVED : KY. SHIMIZU	17. 03. 15	DRAWING NO.	EDC-374783-00-00		
		CHECKED : KY. SHIMIZU	17. 03. 15	PART NO.	HK-A-PP		
		DESIGNED : TY. OZAKI	17. 03. 15	CODE NO.	CL338-0099-0-00		
		DRAWN : TY. OZAKI	17. 03. 15				