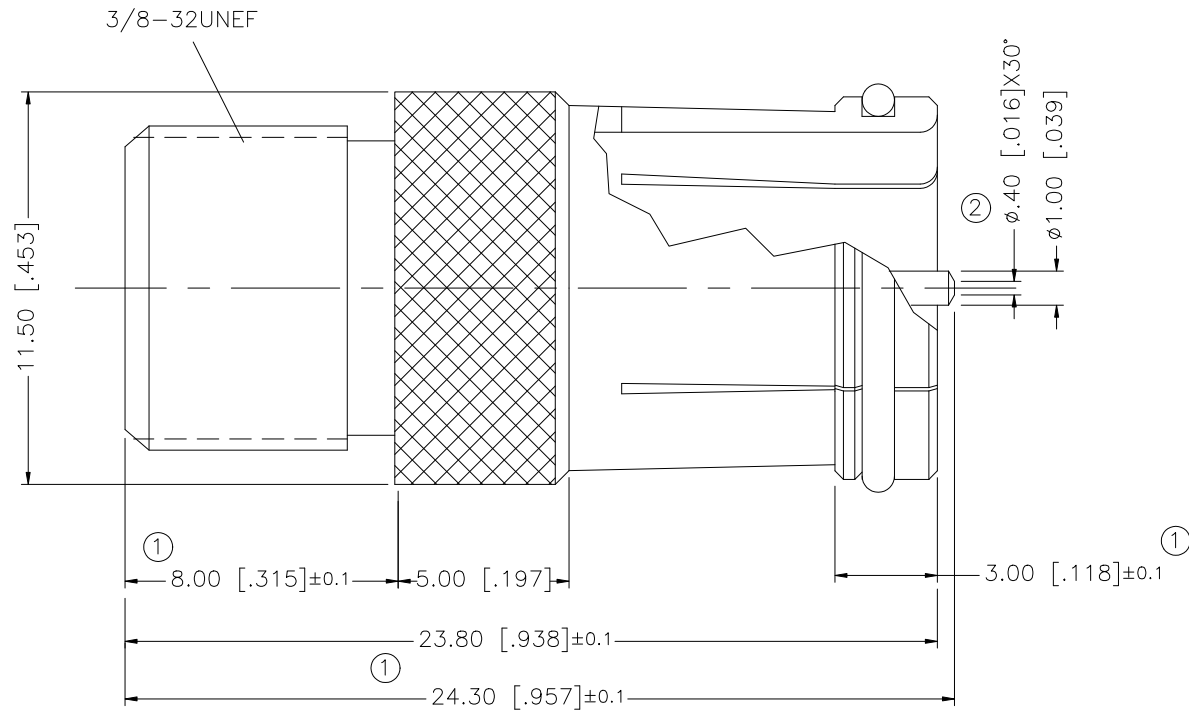


| REV. | DATE | DESCRIPTION |
|------|----------|------------------------------|
| NC | 11/06/99 | INITIAL RELEASE |
| A | 12/27/05 | UPDATE DRAWING FORMAT |
| B | 04/20/06 | REVISE BODY DIMENSIONS ① |
| C | 07/12/07 | ADD CHAMFER TO CONTACT PIN ② |



| DESCRIPTION | MATERIAL | FINISH | QTY | DO NOT SCALE DRAWING | CAD FILE | DWG. NO. | REV. | SIZE | SCALE | |
|-------------|-------------|--------|------------|--|-----------|---------------------|---|--------|----------|----------|
| 8 | | | | | | | | | | |
| 7 | | | | | | | | | | |
| 6 | | | | | | | | | | |
| 5 | | | | | | | | | | |
| 4 | CONTACT PIN | BRASS | BRIGHT TIN | 1 | | | | | | |
| 3 | INSULATOR | P.P. | NATURAL | 1 | | | | | | |
| 2 | INSULATOR | DELRIN | NATURAL | 1 | | | | | | |
| 1 | BODY | BRASS | NICKEL | 1 | | | | | | |
| | | | | UNLESS OTHERWISE SPECIFIED DIMENSIONS ARE IN MILLIMETERS. DIMENSIONS IN [] ARE IN INCHES AND FOR CUSTOMER REFERENCE ONLY. | APPROVALS | DATE | <h1 style="color: blue; text-align: center;">Amphenol Connex</h1> <p style="text-align: center;">F FEMALE TO QUICK DISCONNECT MALE ADAPTER</p> <p style="text-align: center;">PART NO. 222157</p> | | | |
| | | | | UNLESS OTHERWISE SPECIFIED TOLERANCES FOR MILLIMETERS ARE: 0.5 - 8mm ± 0.20mm 8 - 30mm ± 0.40mm 30 - 120mm ± 0.50mm | DRAWN | G.R.S. | | | | 07/12/07 |
| | | | | UNLESS OTHERWISE SPECIFIED TOLERANCES FOR INCHES ARE: .020 - .315 = ± 0.007" .315 - 1.180 = ± 0.015" 1.180 - 4.724 = ± 0.020" | CHECKED | | | | | |
| | | | | DO NOT SCALE DRAWING | ISSUED | | | | | |
| | | | | | SHEET | 1 OF 1 | | | | |
| | | | | | CAD FILE | C:/222/222157.DWG | | | | |
| | | | | | | DWG. NO. 222157.DWG | REV. C | SIZE A | SCALE NA | |