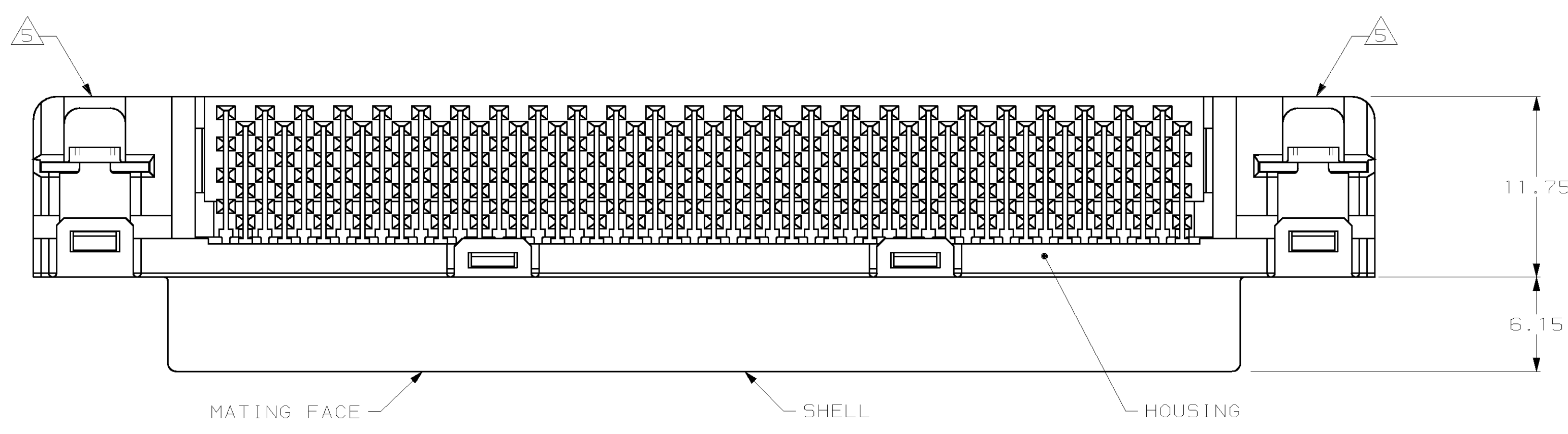
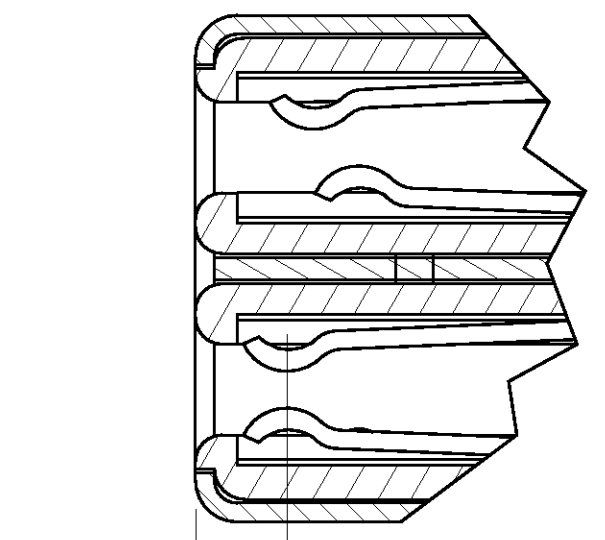
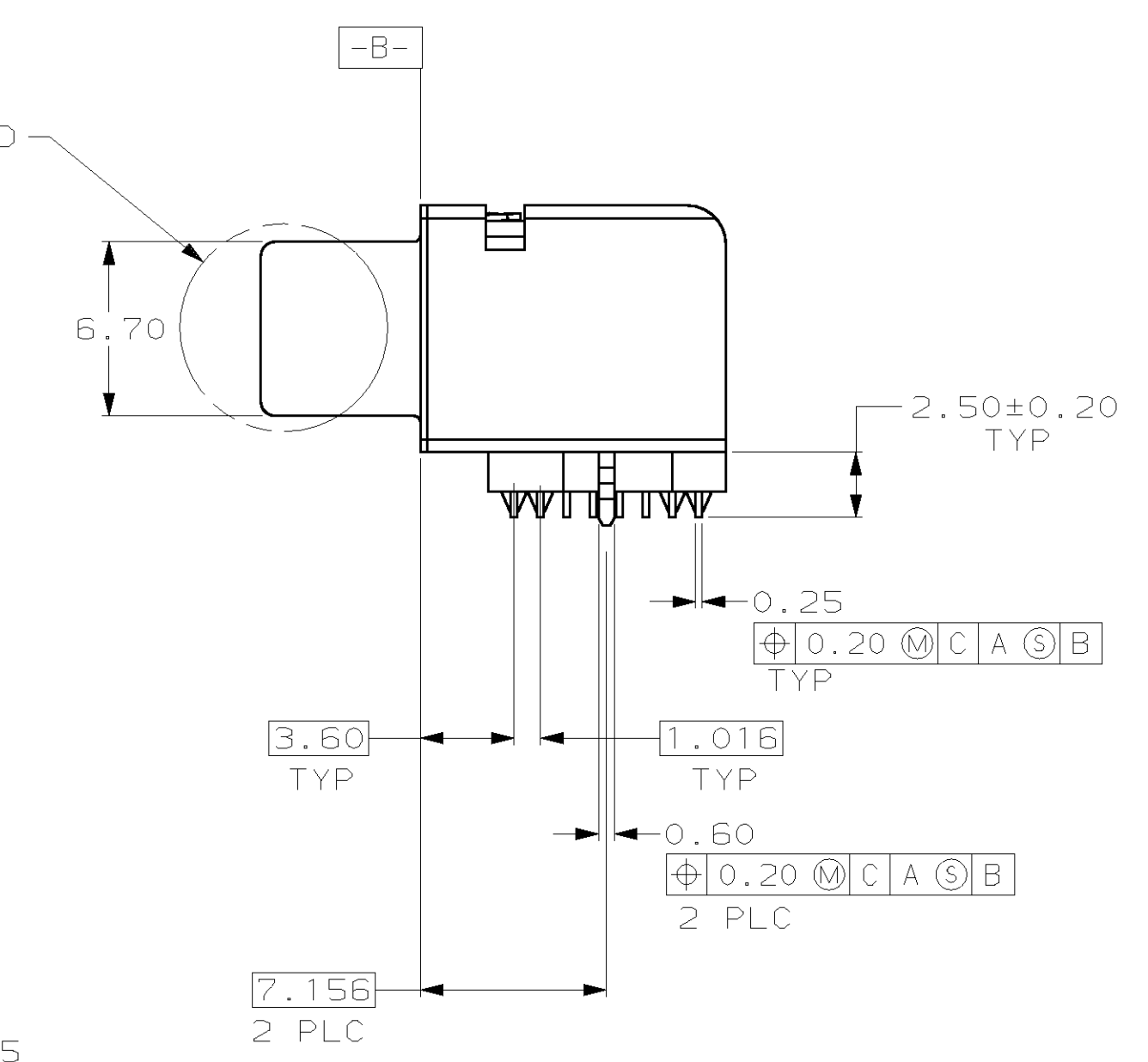
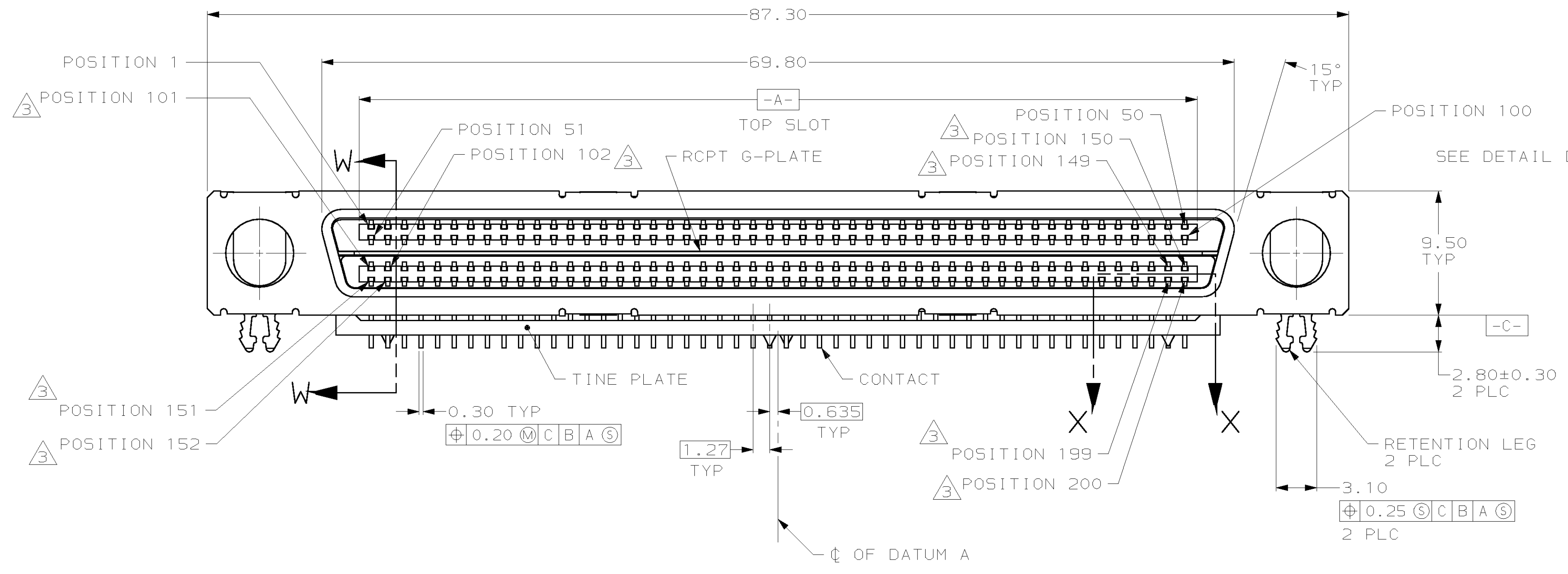


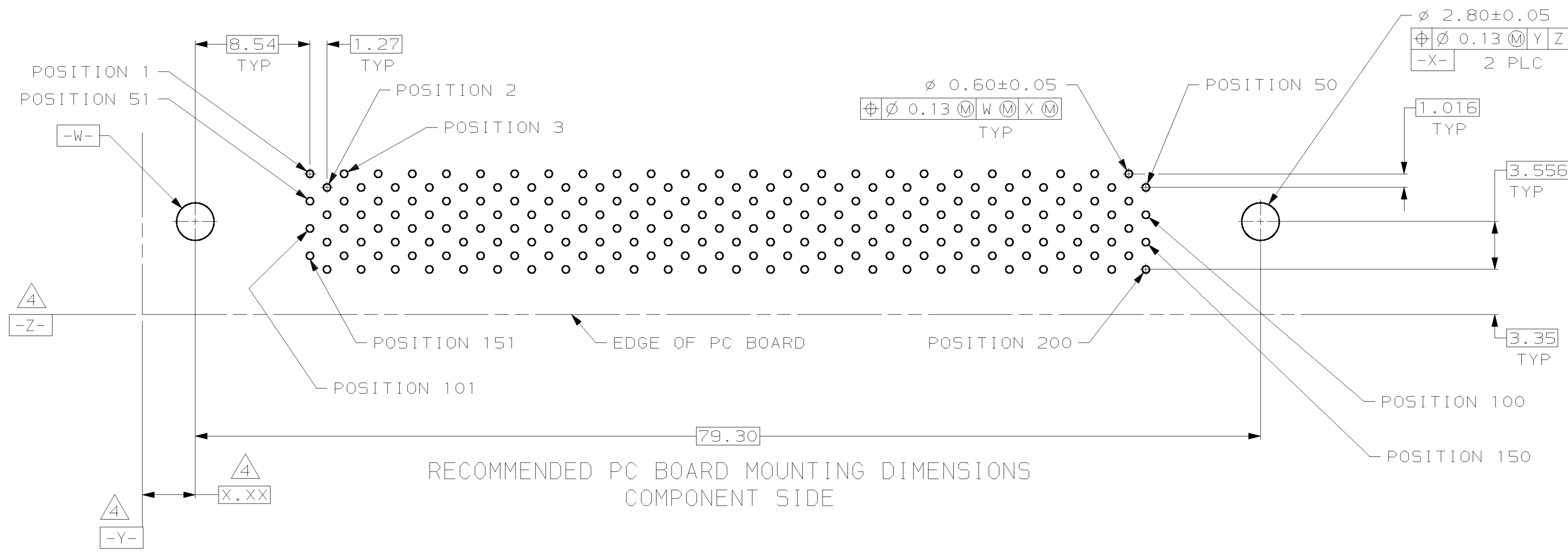
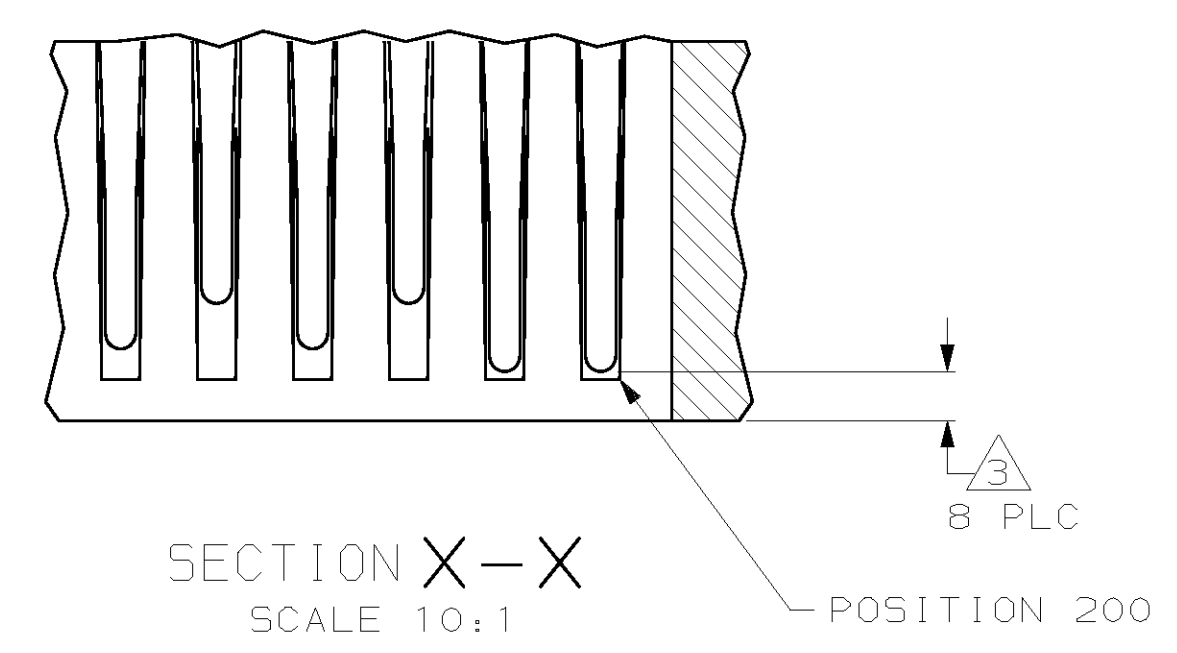
REVISONS		DATE	OWN	APPROV
BD	84	21 OCT 98	-	-
0	RLSE PER NPR 154 WAS 98-1998-1	21 OCT 98	-	-



- ① HOUSING AND TINE PLATE: POLYESTER, NATURAL.
CONTACTS: PHOSPHOR BRONZE.
SHELL: CARBON STEEL.
RCPT G-PLATE: STAINLESS STEEL.
RETENTION LEG: BRASS.
- ② SHELL: 3.00µm MIN NICKEL OVER 1.30µm MIN COPPER.
RETENTION LEG: 2.00µm MIN TIN-LEAD OVER 1.00µm MIN NICKEL.
CONTACTS: 0.76µm MIN GOLD FOR A LENGTH OF 0.90 MIN FROM MATING END,
2.54 MIN TIN-LEAD FOR A LENGTH OF 2.70 MIN FROM OPPOSITE END,
BOTH OVER 1.27µm MIN NICKEL.
- ③ CONTACTS 101, 102, 149, 150, 151, 152, 199, AND 200 ARE SEQUENCED TOWARD MATING FACE AS SHOWN, ALL OTHERS ARE SEQUENCED IN A STAGGERED PATTERN.
- ④ DATUMS AND BASIC DIMENSIONS ESTABLISHED BY CUSTOMER.
- ⑤ DATE CODE MAY BE MARKED ON EITHER END.



DETAIL D
SCALE 10:1



788450-1
PART NUMBER

THIS DRAWING IS A CONTROLLED DOCUMENT.		DWN M. BINNER 21 OCT 98	AMP AMP Incorporated Harrisburg, PA 17105-3608
DIMENSIONS:		CHK C. OBERMAN 22 OCT 98	
TOLERANCES UNLESS OTHERWISE SPECIFIED:		APPROV S. L. INDRSTROM 27 OCT 98	NAME
0 PLC ±		PRODUCT SPEC	RECEPTACLE ASSEMBLY, 200
1 PLC ±0.25		APPLICATION SPEC	POSITION, RIGHT ANGLE, .050, CHAMP™
2 PLC ±		SIZE	A1
3 PLC ±		CAGE CODE	788450
4 PLC ±		DRAWING NO	788450
FINISH		WEIGHT	-
MATERIAL		CUSTOMER DRAWING	SCALE 4:1 SHEET 1 OF 1 REV 0