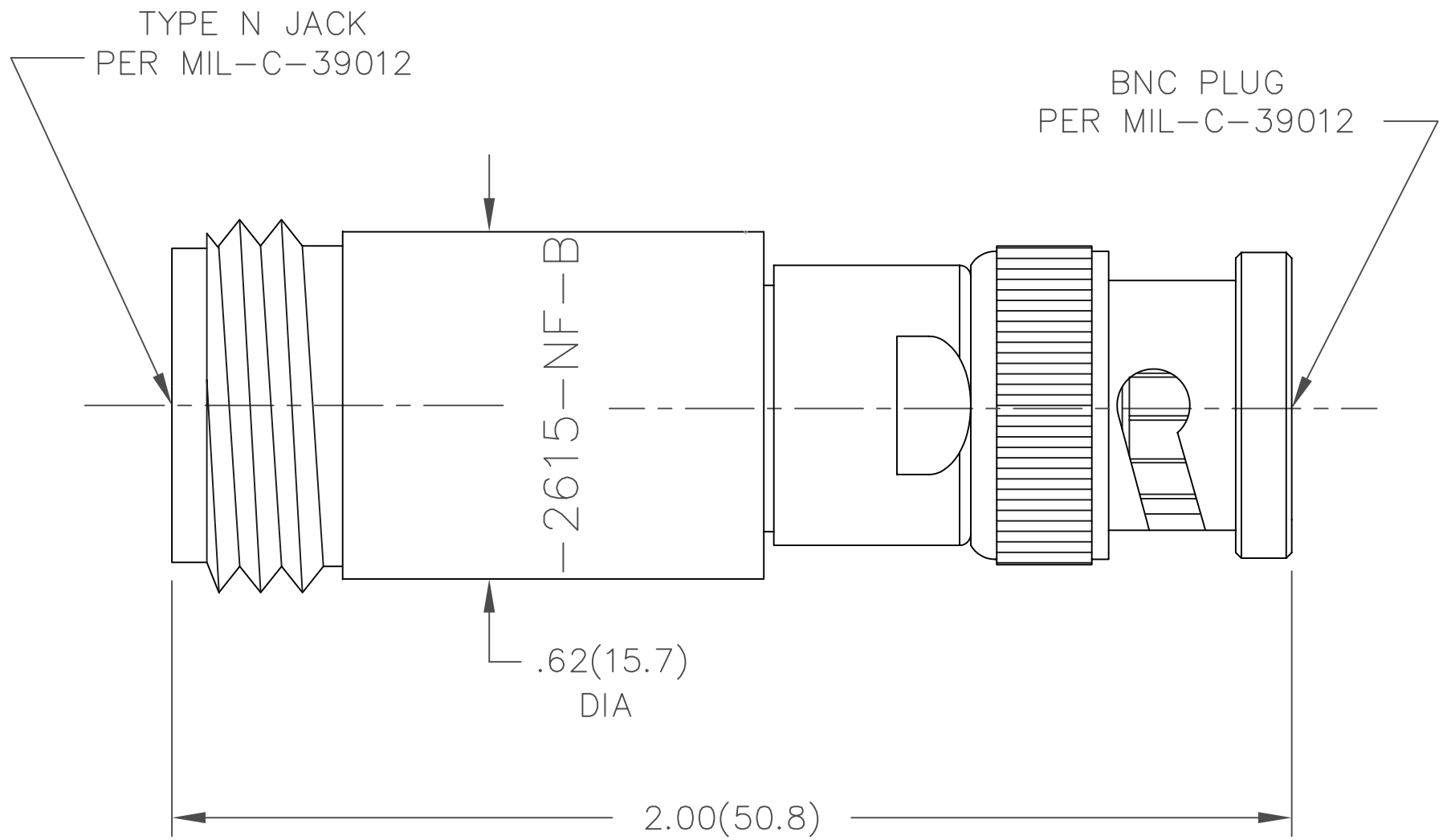


MODEL NUMBER
ADT-2615-NF-BNM-02

NOTES:

- 1.0 MATERIALS:
 - 1.1 HOUSING: STAINLESS STEEL PER ASTM-A582, TYPE 303.
 - 1.2 BNC HOUSING: HALF HARD BRASS PER ASTM B16.
 - 1.3 CENTER CONTACT: BERYLLIUM COPPER ROD ALLOY C172, PER ASTM-B196.
 - 1.4 DIELECTRIC: PTFE FLUOROCARBON PER ASTM-D1457.
- 2.0 PLATING:
 - 2.1 HOUSING PASSIVATED PER MIL-F-14072 AND QQ-P-35.
 - 2.2 CENTER CONTACT: GOLD PER MIL-G-45204 TYPE II, CLASS 2.
 - 2.3 BNC HOUSING: NICKEL PER QQ-N-290.
- 3.0 ELECTRICAL SPECIFICATIONS:
 - 3.1 FREQUENCY RANGE: DC to 4.0 GHz.
 - 3.2 VSWR (MAXIMUM): 1.25:1
 - 3.3 IMPEDANCE: 50 OHMS
- 4.0 MARKING: MARK UNIT AS SHOWN (REF: INK-06819-27-04)
- 5.0 DIMENSIONS IN PARENTHESIS ARE IN MILLIMETERS.



DWG. NO. WAS: 07028-01-00

NOTICE: The information contained in this drawing is proprietary and must not be used without the permission of Emerson Network Power.	CAGE CODE 34078		MIDWEST MICROWAVE	
	 EMERSON Network Power Connectivity Solutions		TITLE ADAPTER-BNC TO TYPE N OUTLINE DRAWING	
UNLESS OTHERWISE NOTED DIMENSIONS ARE IN INCHES AND TOLERANCES ARE: 3 PLACE DECIMALS ±.005 2 PLACE DECIMALS ±.02 FRACTIONS ±1/64 PARALLELITY: T.I.R. _____ FLATNESS: T.I.R. _____ CONCENTRICITY: T.I.R. _____ ANGLES AND PERPENDICULARITY: ±1°	DRAWN/DATE M.HOLLMAN 8/11/93	ENG./DATE A.OSGA 8/25/93	DRAWING NUMBER ADT-2615-NF-BNM-02-01	REV. C
CHECKED/DATE A.BEATTY 8/23/93	APPROVED/DATE	SCALE: 2=1	SHEET 1 of 1	

REV.	DESCRIPTION	DATE
-	RELEASED	8/11/93
A	ECR 6545	8/1/89
B	ECR 7159	2/16/90
C	CAD/UPDATE SPEC	8/11/93