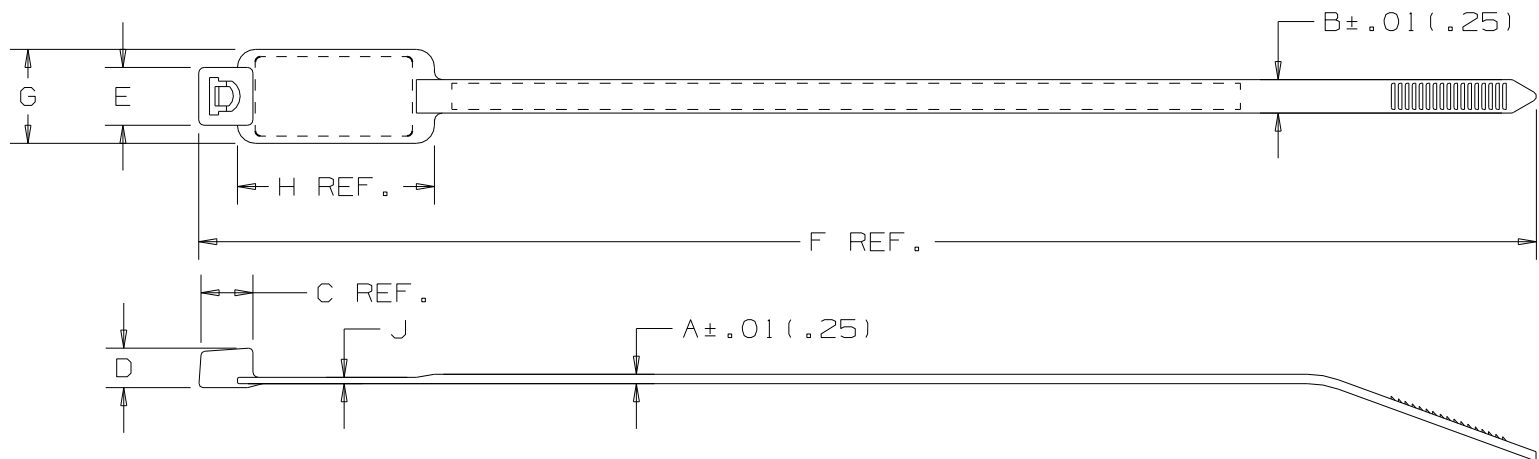


THIS COPY IS PROVIDED ON A RESTRICTED BASIS AND IS NOT TO BE USED IN ANY WAY DETRIMENTAL TO THE INTERESTS OF PANDUIT CORP.



PANDUIT PART NO.*	BUNDLE DIA.		A in (mm)	B in (mm)	C in (mm)	D in (mm)	E in (mm)	F in (mm)	G in (mm)	H in (mm)	J in (mm)	WRITE-ON AREA in (mm)	MIN. LOOP TENSILE lbs. (N)	CROSS-SECTION	WEIGHT lbs/100pcs. (g)
	MIN. in (mm)	MAX. in (mm)													
PLM2S	.37 (9.5)	1.75 (45.)	.052 (1.3)	.185 (4.7)	.258 (6.6)	.220 (5.6)	.320 (8.1)	7.4 (188)	.520 (13.2)	1.09 (27.7)	.035 (.9)	.44 × .87 (11.1 × 22.1)	50 (222)	STANDARD	.3 (147)
PLM4S	.75 (19)	4.00 (102)	.052 (1.3)	.185 (4.7)	.258 (6.6)	.220 (5.6)	.320 (8.1)	14.6 (371)	.520 (13.2)	2.10 (53.3)	.040 (1.0)	.44 × 2.00 (11.1 × 50.8)	50 (222)	STANDARD	.6 (272)

**NOTES:**

- \*1) SEE CURRENT PRICE SHEET FOR PART NUMBER SUFFIX DESIGNATION FOR PACKAGE SIZE AND PART COLOR.
- 2) RECOGNIZED UNDER THE COMPONENT PROGRAM OF UNDERWRITERS LABORATORIES INC.

DIMENSIONS IN PARENTHESES ARE IN METRIC UNITS.

**PANDUIT** CORP. TINLEY PARK, ILLINOIS

PAN-TY® MARKER TIE  
PLM SERIES

UNLESS OTHERWISE SPECIFIED,  
DIMENSIONAL TOLERANCES ARE:  
(.X) ± .0005 (.XXX) ± .0015  
(.XX) ± .0015 ANGLES ± .0015

UNLESS OTHERWISE SPECIFIED,  
ALL DIMENSIONS ARE GIVEN  
IN INCHES, THIRD ANGLE PROJECTION.

DRAWN BY  
L.V/AJC

MAT'L:

SCALE  
NONE

DATE  
3-29-71

NYLON 6.6

DRAWING NO.  
SS-2880

DWG  
A  
SIZE

6	6/27/06	ERW		CORRECTED REFERENCE DIMENSIONS.	2880	6									
REV	DATE	BY	CHK	DESCRIPTION	ECN	R	CUST	SUP							

CHK'D  
HVP