

A

B

C

D

E

F

G

H

A

B

C

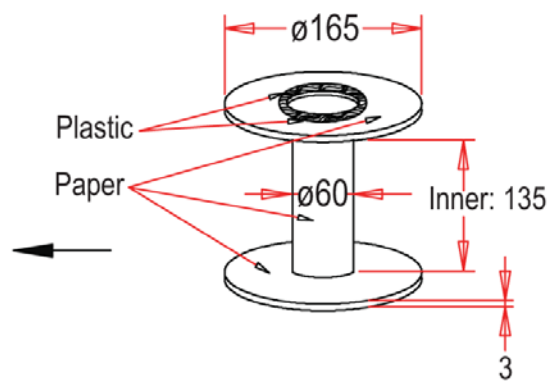
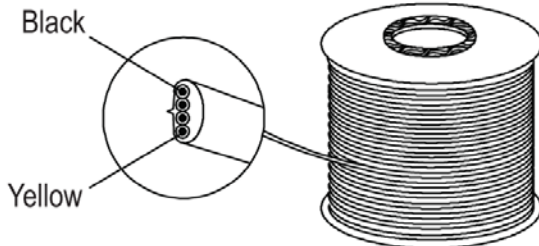
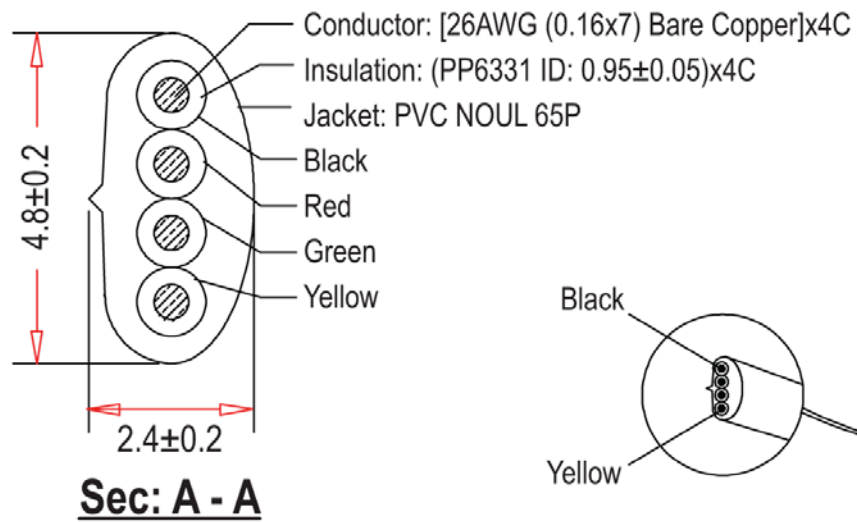
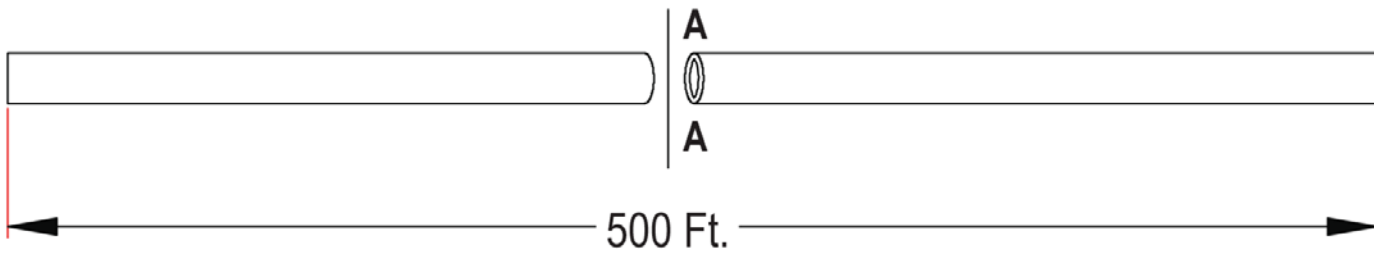
D

E

F

G

H



**500Ft/R. "PE" Foam Wrapped**

Unit: MM



Scale	1:1					Name
TOLERANCE					Drawn	12.19.11
X.X	±0.40				Chappell	
X.XX	±0.25				Approved	
X.XXX	±0.15					
Angle	±3°					
		Modification	Date	Name		

Item No.	<b>AT-K-26-4-W/500</b>
Title	Modular Straight cable - Raw, 4 Contact, 26AWG, White, 500Ft.
Drawing No.	
Replace	<b>rev00</b>
Sheet	