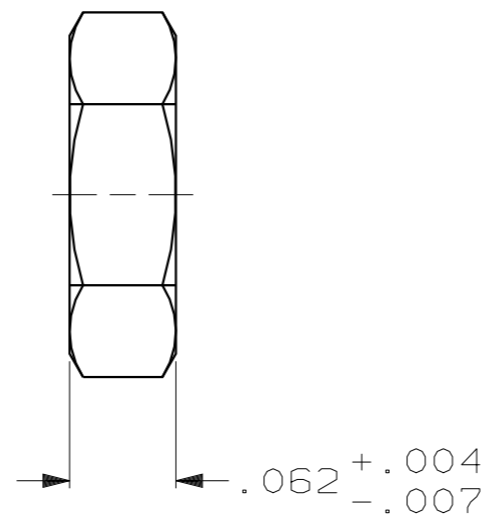
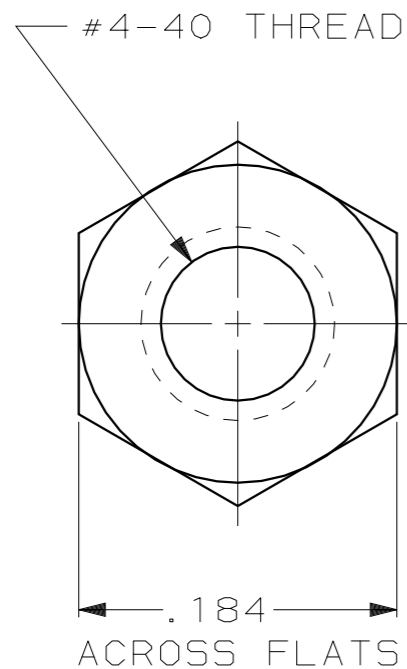


THIS DRAWING IS UNPUBLISHED. RELEASED FOR PUBLICATION ,19 .
 © COPYRIGHT 19 BY AMP INCORPORATED, HARRISBURG, PA. ALL INTERNATIONAL RIGHTS RESERVED. AMP PRODUCTS MAY BE COVERED BY U.S. AND FOREIGN PATENTS AND/OR PATENTS PENDING.

MOD 8 LOC BD DIST 39

		REVISIONS				
P	F	ZONE	LTR	DESCRIPTION	DATE	APPROVED
			A	REV & REDRAWN ECN-1849	-	JW
			B	REVISED ECN-BD2480	11/23/88	-
			C	REV PER ECN BD4231	09/06/90	-



- ① ZINC PLATED PER ASTM B633, TYPE II, CLASS SC1, (.000197-.000400), YELLOW CHROMATE.
- ② ZINC PLATED PER ASTM B633, TYPE III, CLASS SC1, (.000197-.000400), CLEAR CHROMATE.

②	205821-3
①	205821-2
FINISH	PART NO

UNLESS OTHERWISE SPECIFIED DIMENSIONS ARE IN INCHES TOLERANCES ON: 2 PL DEC ± - 3 PL DEC ± .005 ANGLES ± -	DR 4-28-87 C. RICHARD	NAME AMP AMP INCORPORATED Harrisburg, Pa. 17105
	CHK 5-4-87 S. WELDON	
MATERIAL COLD ROLLED STEEL	APPD 5-4-87 M. PETERSON	#4-40 HEX NUT, AMPLIMITE®
	APPD 5-4-87 V. KUMAR	
FINISH SEE TABLE	PRODUCT SPEC -	SIZE B
	APPLICATION SPEC -	FSCM NO 00779
	WEIGHT -	DRAWING NO 205821
		SCALE 10:1
		SHEET 1 OF 1