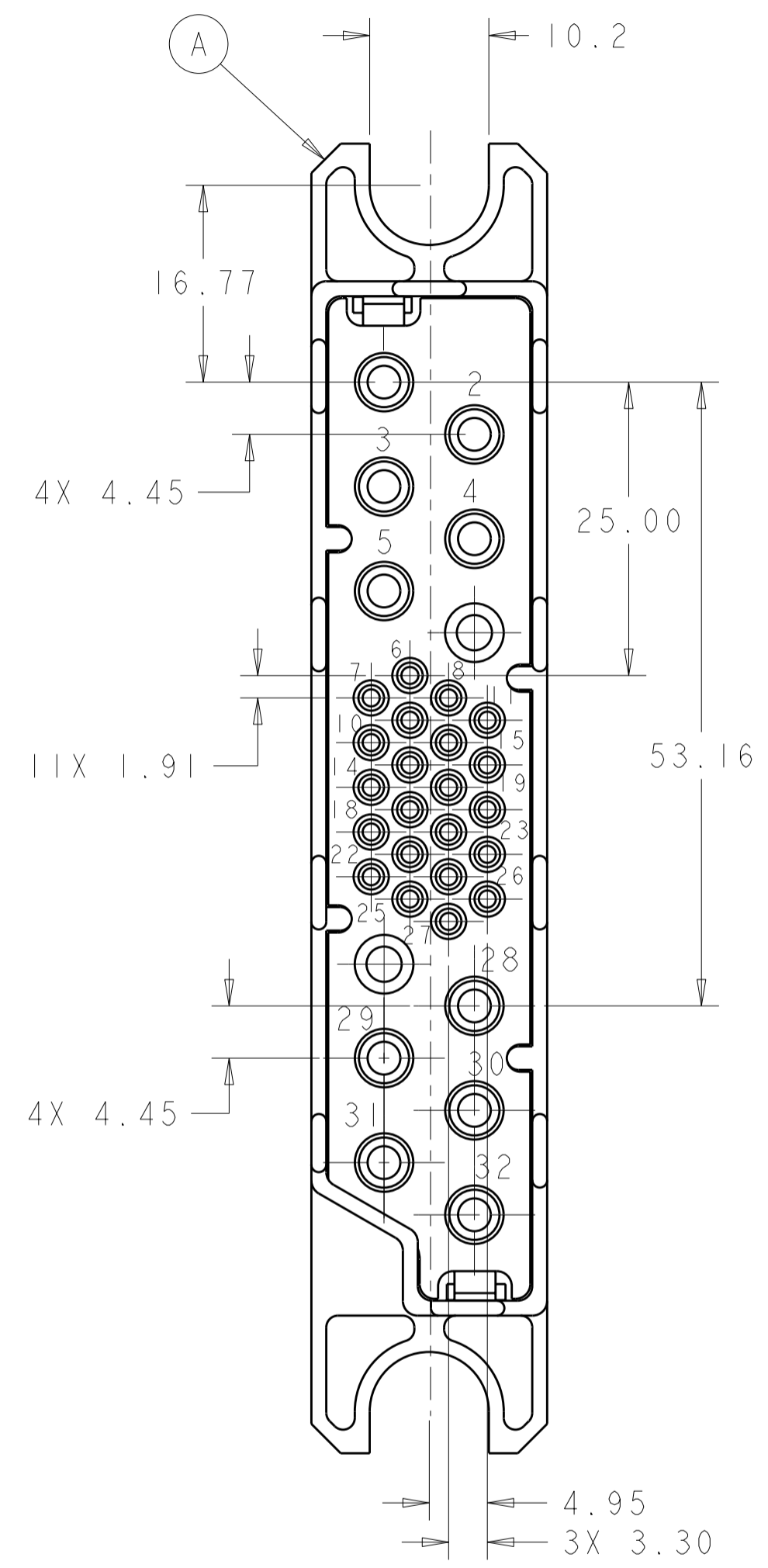
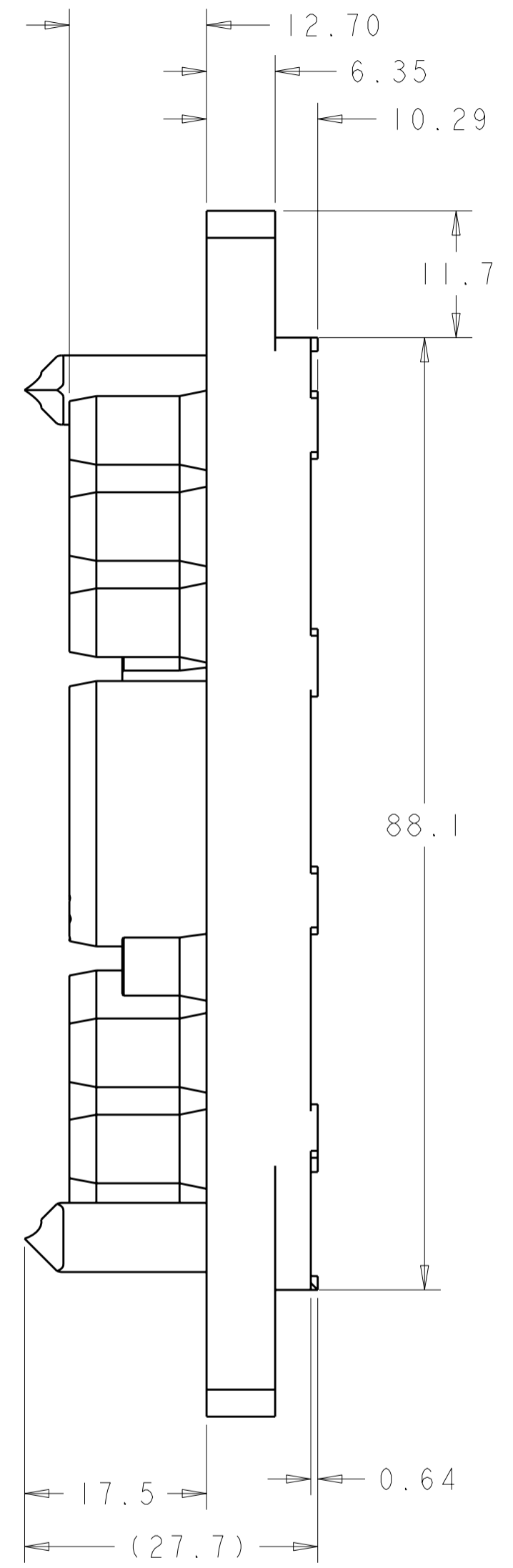
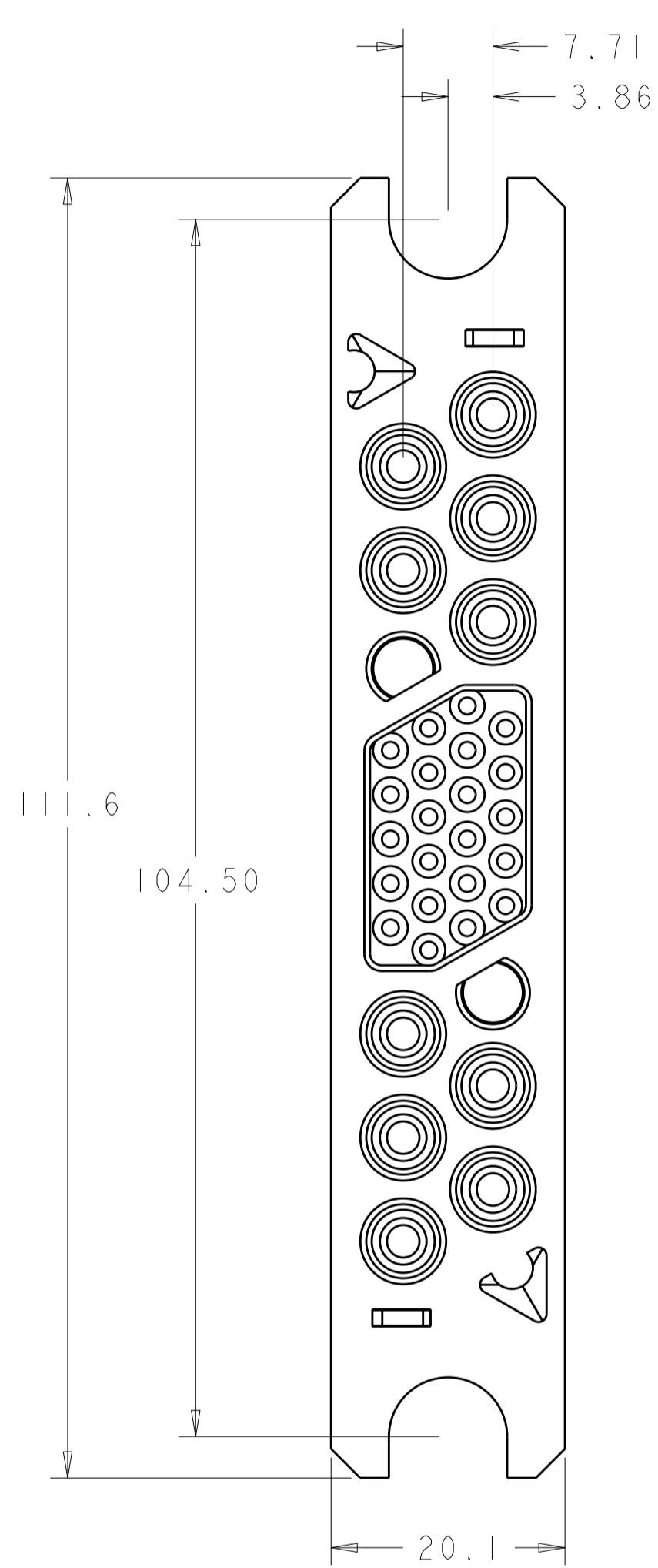


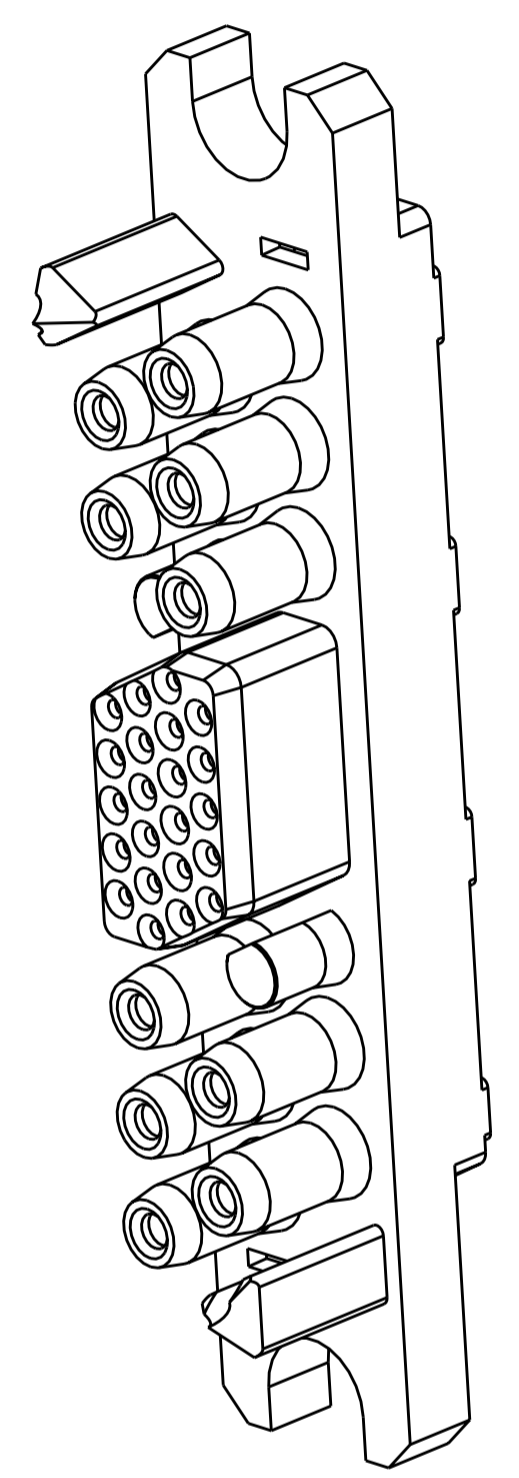
THIS DRAWING IS UNPUBLISHED. RELEASED FOR PUBLICATION 20
 © COPYRIGHT 20 BY TYCO ELECTRONICS CORPORATION. ALL RIGHTS RESERVED.

REVISIONS					
P	LTR	DESCRIPTION	DATE	DWN	APVD
A		INITIAL RELEASE	16OCT2006	GIP	DO
B		REVISED PER ECO-07-004109	21FEB2007	GIP	DO



REAR VIEW

CONTACT PIN (B)
 CONTACT PIN (C)
 CONTACT PIN (B)



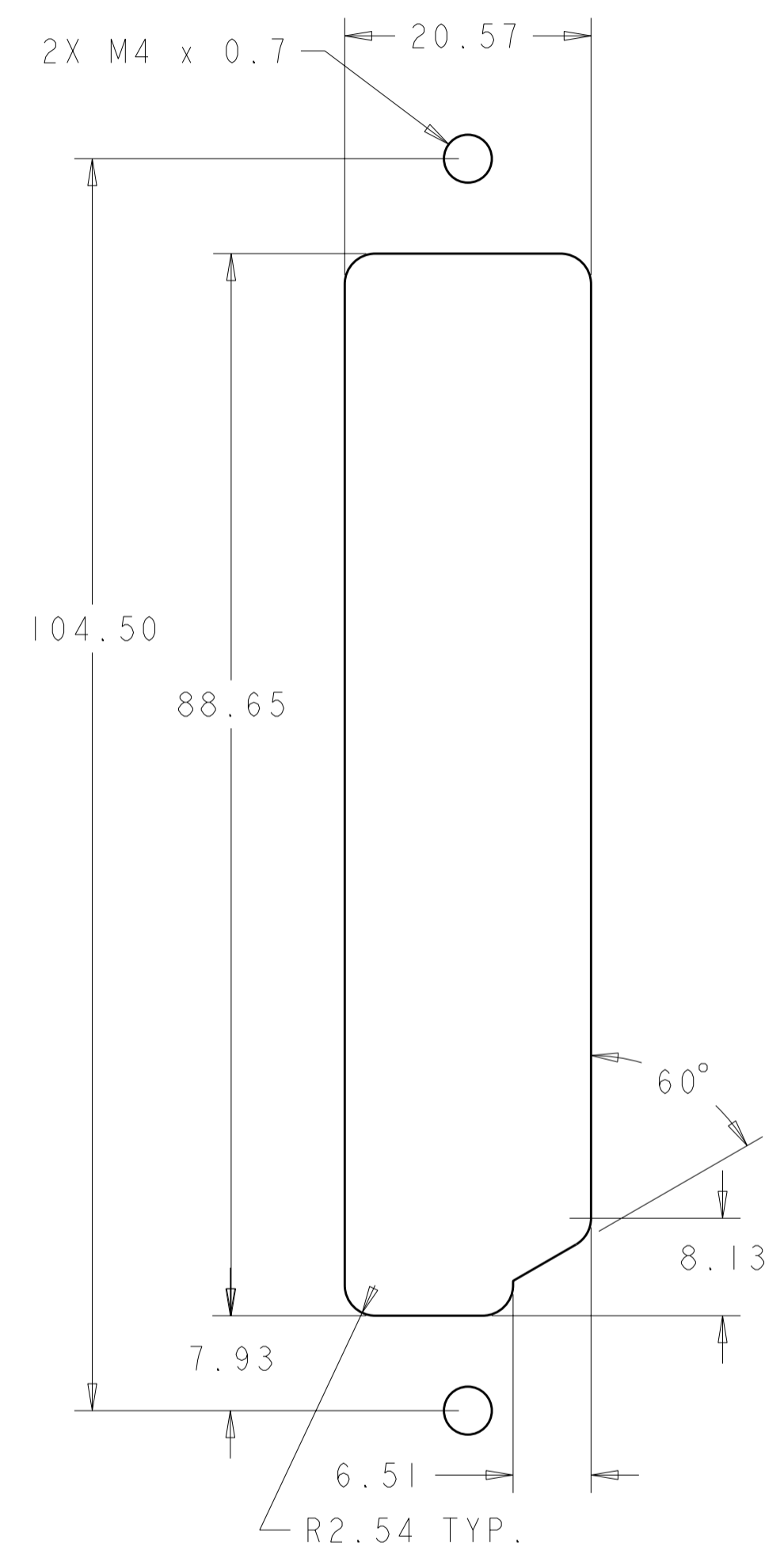
1926214-1
 PRODUCT NUMBER

ELCON P10S22

<small>THIS DRAWING IS A CONTROLLED DOCUMENT FOR TYCO ELECTRONICS CORPORATION. IT IS SUBJECT TO CHANGE AND THE CONTROLLING ENGINEERING ORGANIZATION SHOULD BE CONTACTED FOR THE LATEST REVISION.</small>		DWN G. PETERS 16OCT2006 CHK D. ORRIS 16OCT2006 APVD S. FLICKINGER 16OCT2006	tyco Electronics Tyco Electronics Harrisburg, PA 17105-3608
DIMENSIONS: mm 	TOLERANCES UNLESS OTHERWISE SPECIFIED: 0 PLC ±.5 1 PLC ±.02 2 PLC ±.02 3 PLC ±.010 4 PLC ±.0001 ANGLES ±.5 FINISH	PRODUCT SPEC - APPLICATION SPEC - WEIGHT - CUSTOMER DRAWING	NAME STRAIGHT SOCKET CUSTOM CONNECTOR 10X #12, 13X #20 CONTACTS SIZE A200779 CAGE CODE C-1926214 DRAWING NO 1926214 RESTRICTED TO - SCALE 3:1 SHEET 1 OF 2 REV B

THIS DRAWING IS UNPUBLISHED. RELEASED FOR PUBLICATION 20
 © COPYRIGHT 20 BY TYCO ELECTRONICS CORPORATION. ALL RIGHTS RESERVED.

LOC	DIST	REVISIONS					
GP	00	P	LTR	DESCRIPTION	DATE	DWN	APVD
		-		SEE SHEET 1			



SUGGESTED PANEL CUTOUT
 VIEW FROM CONNECTOR MOUNTING SIDE

- PART NUMBER CHANGES AND OR DESIGN CHANGES AFFECTIG ITEM INTERCHANGEABILITY REQUIRE PRIOR TYCO APPORVAL AND AUTHORIZATION BY REVISION TO THIS DRAWING.
- MATERIAL INSULATORS - THERMOPLASTIC, GLASS REINFORCED, COLOR: BLACK UL94V-0 FLAMMABILITY RATED.
 SOCKET CONTACTS - COPPER ALLOY
 RETENTION CLIPS: BERYLLIUJ COPPER OR STAINLESS STEEL
 CROWN BAND: BERYLLIUM COPPER
 SHOULDER SCREWS: STAINLESS STEEL
- FINISH: CONTACTS - SILVER PLATE .000200 INCH MN. THIK,, OVER NICKEL .000040 INCH MIN. THK.

△ ITEM PROVIDED TO THIS SPECIFICATION TO BE PERMANENTLY IDENTIFIED PER THE FOLLOWING IDENTIFIER LABEL
 YEAR WEEK

TYCO PART NO. DATE CODE (e.g. 0106)
 XXXXXXXX-X XXXX

△5 CRIMP CONTACTS AND SHOULDER SCREWS (ITEM B) SHALL BE PACKAGED SEPERATELY AND PLACED IN THE BOX WITH THE CONNECTOR ASSEMBLY

△5	13	1648325-1	CONTACT #20, CRIMP #20	C
△5	10	6648433-1	CONTACT SOCKET #12 CRIMP #10	B
	1	1648212-2	SOCKET, CONNECTOR ASSEMBLY	A
	-1	PART NUMBER	DESCRIPTION	ITEM NO

<small>THIS DRAWING IS A CONTROLLED DOCUMENT FOR TYCO ELECTRONICS CORPORATION IT IS SUBJECT TO CHANGE AND THE CONTROLLING ENGINEERING ORGANIZATION SHOULD BE CONTACTED FOR THE LATEST REVISION.</small>		DWN G. PETERS 16OCT2006	Tyco Electronics Harrisburg, PA 17105-3608	
DIMENSIONS: mm		CHK D. ORRIS 16OCT2006	NAME STRAIGHT SOCKET CUSTOM CONNECTOR 10X #12, 13X #20 CONTACTS	
TOLERANCES UNLESS OTHERWISE SPECIFIED: 0 PLC ±.5 1 PLC ±.5 2 PLC ±.02 3 PLC ±.010 4 PLC ±.0001 ANGLES ±.5 FINISH		APVD S. FLICKINGER 16OCT2006	PRODUCT SPEC APPLICATION SPEC WEIGHT CUSTOMER DRAWING	
MATERIAL		SIZE A2	CAGE CODE 00779	DRAWING NO 1926214
		SCALE 3:1	SHEET 2	REV B