

THIS COPY IS PROVIDED ON A RESTRICTED BASIS AND IS NOT TO BE USED IN ANY WAY DETRIMENTAL TO THE INTERESTS OF PANDUIT CORP.

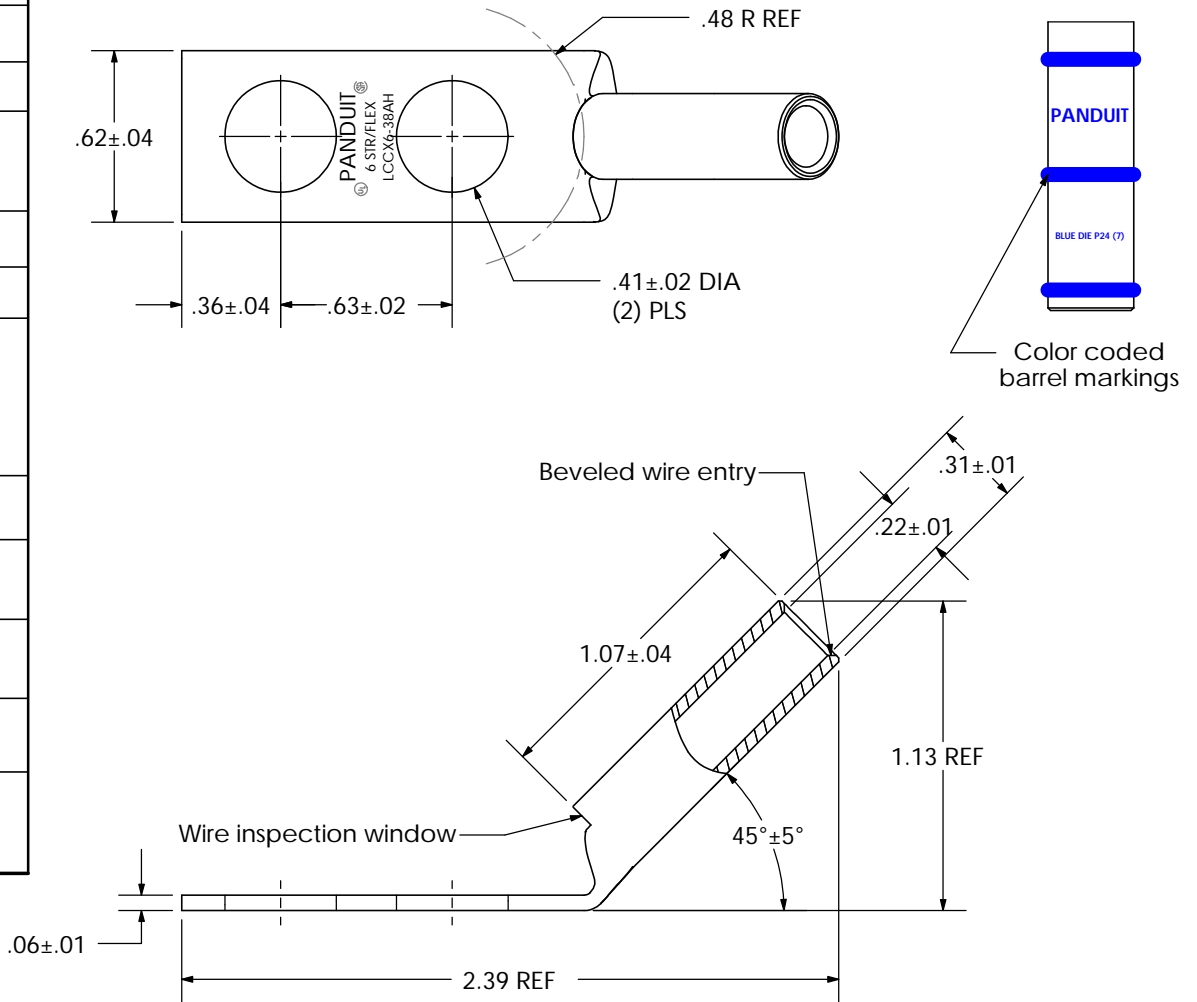
|  |  |
|--|--|
| Material                                       | High Conductivity Seamless Copper Tube   |
| Plating  | Electro-Tin  |
| Wire Size                                      | 6 STR/FLEX   |
| Wire Type                                      | Stranded Copper: Class B & C, Compact, Class G, H, I, K, M, Locomotive   |
| Wire Strip Length                              | 1-1/8 in.  |
| Stud Size                                      | 3/8 in.  |
| UL Listed Wire Connector                       | Yes, for applications up to 35kv. Consult cable manufacturer for voltage stress relief instructions with applications greater than 2000 volts. |
| UL Temperature Rating                          | 90° C  |
| C.S.A Certified Wire Connector                 | Yes  |
| Panduit Color Code on Barrel                   | BLUE   |
| Panduit Die Index No. on Barrel                | P24  |
| Alternate Industry Die Index No. ( ) on Barrel | (7)  |



CERTIFIED



LISTED Wire Connector



|     |      |     |     |             |       |
|-----|------|-----|-----|-------------|-------|
| 00  | 6/03 | SAC | SAC | RELEASED    | 10850 |
| REV | DATE | BY  | CHK | DESCRIPTION | ECN   |

**PANDUIT CORP.** TINLEY PARK, ILLINOIS

LCCX6-38AH-L  
Copper Lug - Two-Hole, Long Flex Barrel with Window, 45° Angle Tongue  
SCALE N/A DRAWING NO / CAD FILE LCCX6-38AH-CUST