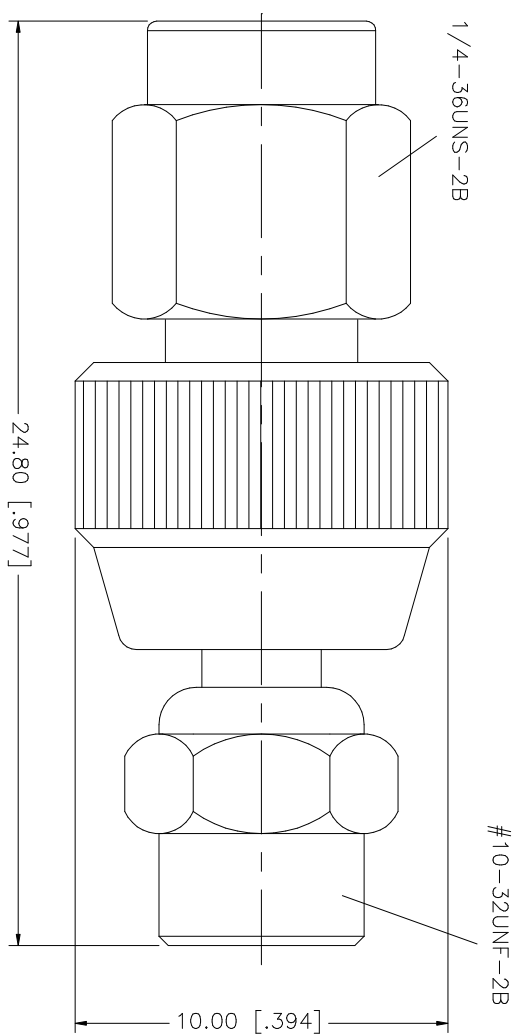


REV.	DATE	DESCRIPTION
A	03/20/03	UPDATE PART DESCRIPTION



NO.	DESCRIPTION	MATERIAL	FINISH	QTY	UNLESS OTHERWISE SPECIFIED DIMENSIONS ARE IN MILLIMETERS. DIMENSIONS IN [ ] ARE IN INCHES AND FOR CUSTOMER REFERENCE ONLY. TOLERANCES FOR MILLIMETERS ARE:	UNLESS OTHERWISE SPECIFIED DIMENSIONS ARE IN MILLIMETERS. DIMENSIONS IN [ ] ARE IN INCHES AND FOR CUSTOMER REFERENCE ONLY. TOLERANCES FOR MILLIMETERS ARE:	UNLESS OTHERWISE SPECIFIED DIMENSIONS ARE IN MILLIMETERS. DIMENSIONS IN [ ] ARE IN INCHES AND FOR CUSTOMER REFERENCE ONLY. TOLERANCES FOR MILLIMETERS ARE:	APPROVALS	DATE	PART DESCRIPTION				
8					0.5 - 8mm ± 0.20mm	0.5 - 8mm ± 0.20mm	0.5 - 8mm ± 0.20mm			<b>Amphenol Connex</b> PART DESCRIPTION SMA PLUG TO SMC PLUG ADAPTER PART NO. 242177				
7					8 - 30mm ± 0.40mm	8 - 30mm ± 0.40mm	8 - 30mm ± 0.40mm	DRAWN G.R.S.	03/20/03					
6					30 - 120mm ± 0.50mm	30 - 120mm ± 0.50mm	30 - 120mm ± 0.50mm	CHECKED						
5								ISSUED						
4								SHEET 1 OF 1						
3	CONTACT PIN	BER. COPPER	GOLD	1										
2	INSULATOR	TEFLON	NATURAL	1	.020 - .315 = ± 0.002"	.020 - .315 = ± 0.002"	.020 - .315 = ± 0.002"							
1	BODY	BRASS	GOLD	1	.315 - 1.180 = ± 0.015"	.315 - 1.180 = ± 0.015"	.315 - 1.180 = ± 0.015"							
	DESCRIPTION	MATERIAL	FINISH	QTY	1.180 - 4.724 = ± 0.020"	1.180 - 4.724 = ± 0.020"	1.180 - 4.724 = ± 0.020"	DO NOT SCALE DRAWING		CAD FILE C:/242/242177.DWG	DWG. NO. 242177.DWG	REV. A	SIZE A	SCALE NA